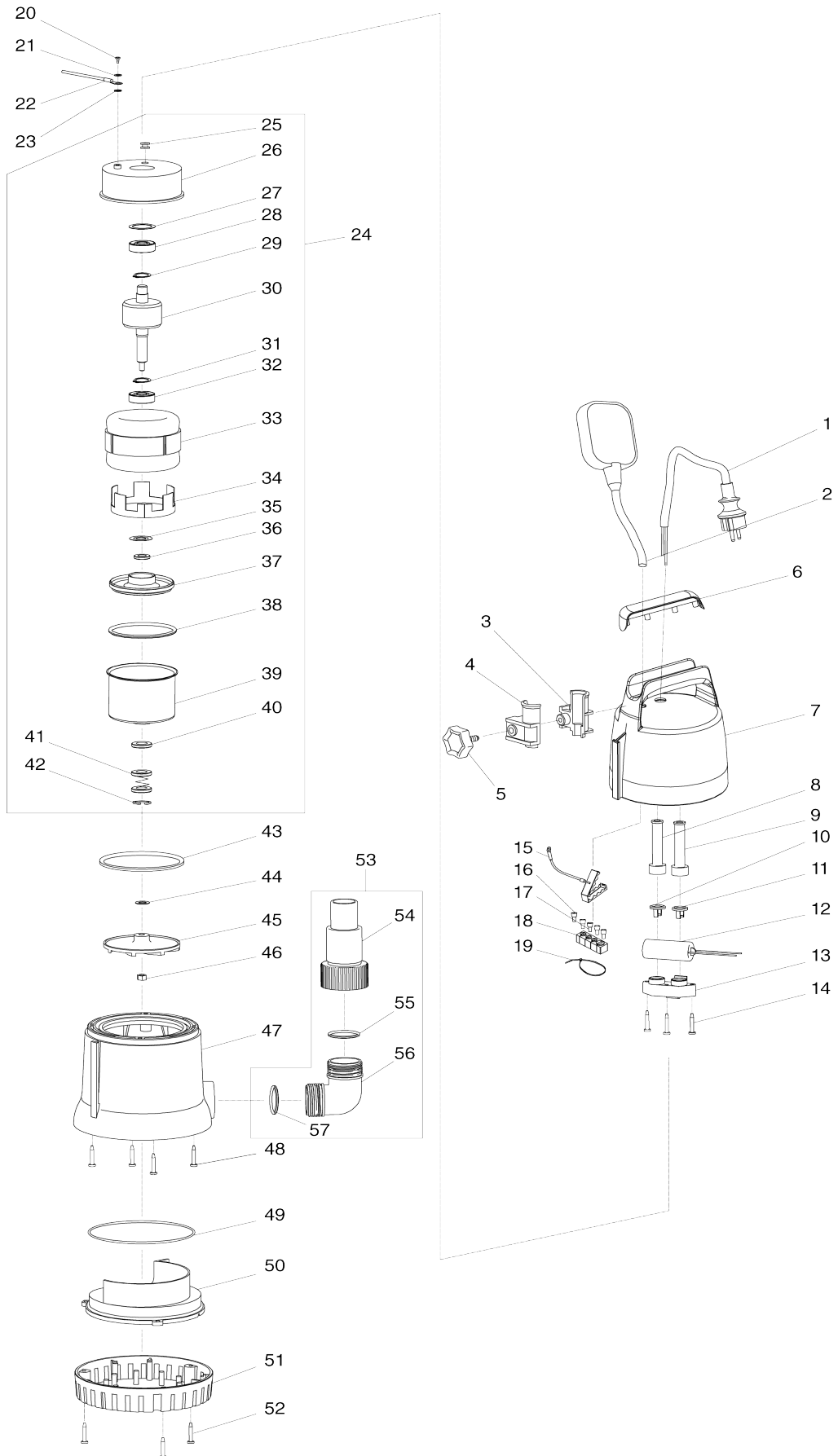


# Model No. PF0300 SUBMERSIBLE PUMP



# Model No.PF0300 SUBMERSIBLE PUMP

Item No.	Parts No.	Description
001	609025434	POWER SUPPLY CORD 0.75-3-10
001-1	JH00000122	CORD H05RN-F 0.75-3-10 EU
001-2	JH00000195	CORD H05RN-F 0.75-3-10 EU
002	609026209	FLOAT SWITCH BLUE
002-1	JH00000126	FLOAT SWITCH BLUE
002-2	JH00000198	FLOAT SWITCH BLUE
003	609026210	CORD CLAMP BODY SIDE
003-1	JH00000078	CORD CLAMP BODY SIDE
004	609026211	CORD CLAMP THUMB SCREW SIDE
004-1	JH00000079	CORD CLAMP THUMB SCREW SIDE
005	609026212	THUMB SCREW M5X16
006	609024586	HANDLE COVER MAKITA
007	609026219	UPPER HOUSING BLUE
007-1	JH00000040	UPPER HOUSING BLUE
007-2	JH00000199	UPPER HOUSING BLUE
008	609024588	CORD GUARD 8.5
008-1	JH00000110	CORD GUARD 8.5
009	609024587	CORD GUARD 6.5
009-1	JH00000109	CORD GUARD 6.5
010	609024590	CORD CLAMP 8.5
011	609024589	CORD CLAMP 6.5
011-1	JH00000099	CORD CLAMP 6.5
012	JH00000044	CAPACITOR 8 MICRO F
012-1	JH00000181	CAPACITOR 8 MICRO F
013	609024592	CAPACITOR HOLDER
014	609024593	TAPPING SCREW 4X32
015	609024628	GROUND COVER FOR RUBBER COVER
016	609024629	CLOSED END SPLICE 5.5-SD
017	609024630	CLOSED END SPLICE 2-SD
018	609024631	RUBBER COVER FOR 4 SPLICE
018-1	JH00000116	RUBBER COVER FOR 4 SPLICE
019	609024632	CABLE TIE
020	609024601	SCREW M4X8
021	609024596	SPRING WASHER 4
022	JH00000004	GROUND WIRE ASSY
023	609024600	TOOTHED LOCK SPRING WASHER 4
023-1	JH00000082	TOOTHED LOCK SPRING WASHER 4
024	JH00000064	MOTOR ASSY 230V 50HZ
024		INC. 25-42
024		INC. 25-28, 30, 32-42
025	609024595	GROMMET 10
026	609024594	MOTOR HOUSING UPPER SIDE
027	609024602	WAVE WASHER 25
028	609024603	BALL BEARING 6201Z

029	961052-5	RETAINING RING (EXT) S-12
030	JH00000046	ROTOR
031	961052-5	RETAINING RING (EXT) S-12
032	609024603	BALL BEARING 6201Z
033	JH00000047	STATOR ASSY 230V 50HZ
034	609024606	LINING RING
034-1	609024667	LINING RING
035	609024607	SHIM
036	609024608	SKELETON SEAL RING
036-1	JH00000111	SKELETON SEAL RING
037	609024609	BEARING BOX
038	609024610	O-RING
038-1	JH00000112	O-RING
039	609024611	MOTOR HOUSING LOWER SIDE
040	609024608	SKELETON SEAL RING
040-1	JH00000111	SKELETON SEAL RING
041	609024633	MECHANICAL SEAL
041-1	JH00000127	MECHANICAL SEAL
042	609024634	RETAINING RING S-12 INOX
043	609024612	O-RING
043-1	JH00000113	O-RING
044	609024613	SPACER WASHER 12
045	609024614	IMPELLER 90
046	609024615	NYLON INSERT HEX LOCK NUT M 8
047	609024616	LOWER HOUSING ASSY
C10	216013-3	STEEL BALL 6
048	609024620	Y-HEAD TAPPING SCREW 4X28 IN OX
049	609024621	O-RING
049-1	JH00000114	O-RING
050	609024622	CASING
051	609024623	STRAINER
052	609024624	TAPPING SCREW 4x24 INOX
053	JH00000005	OUTLET CONNECTOR KIT
053		INC. 54-57
054	609024627	OUTLET CONNECTOR
055	609024625	O-RING
055-1	JH00000115	O-RING
056	609024626	ELBOW
057	609024625	O-RING
057-1	JH00000115	O-RING